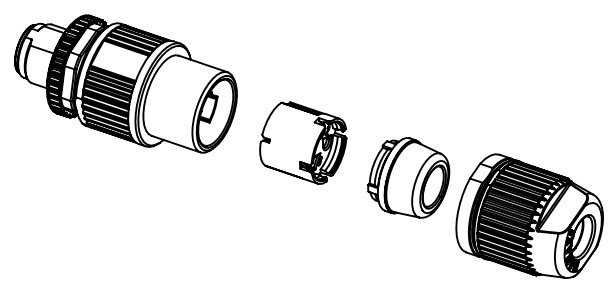
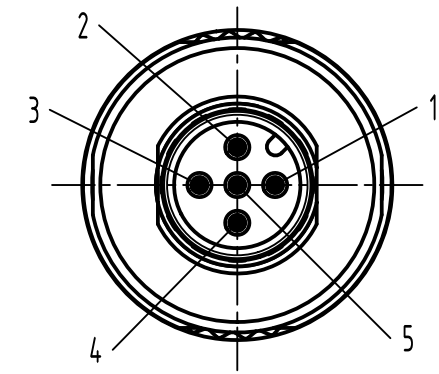


contact face based on
IEC 61076-2-101

A (2:1)



cable outside diameter	conductor cross section
6,0mm - 8,0mm	AWG22 - AWG20 0,34mm ² - 0,5mm ²

	All rights reserved Department EL PD	All Dimensions in mm Original Size DIN A4		Scale 1:1	Free size tol.	Ref. Sub.
		Created by HASSE	Inspected by 104.122	Standardisation SAP_WFRT	Date 2022-02-04	State Final Release
HARTING D-32339 Espelkamp		Title M12-L-CC-IDC-5P-ACOD-M-STR			Doc-Key / ECM-Nr. 100214.822/UGD/003/C 500000210890	
		Type TB	Number 21032721505		Rev. C	Page 1/1